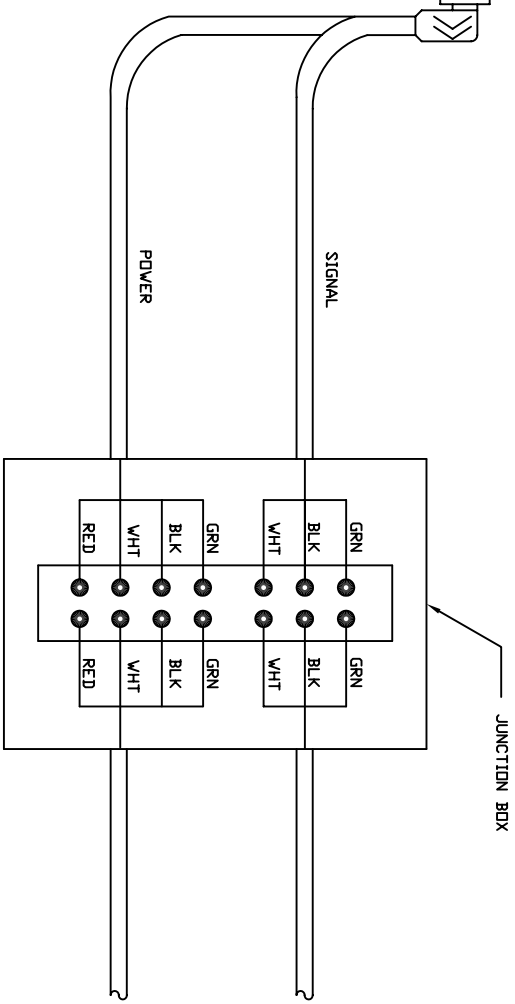


MAC INSTRUMENTS
MAC125
 MOISTURE ANALYZER

SIGNAL
 GRN = GROUND
 BLK = OUTPUT +
 WHT = OUTPUT -

POWER
 GRN = GROUND
 BLK = LINE
 WHT = NEUTRAL
 RED = FILTER BLOW BACK (OPTIONAL)
 120V/60Hz
 230V/50Hz



MAC INSTRUMENTS
 A DIVISION OF **Machine Applications Corporation**
 3410 Tiffin Ave. Sandusky, Ohio 44870
 PHONE: (419)621-2322 FAX: (419) 621-2321

TITLE
 MAC125 OUTLINE DRAWING
 STANDARD MOUNTING TUBE

DRAWN	SCW	SIZE	DRAWING NUMBER	REVISION
CHECKED		A	125/00/0004	A
APPROVED	JGW			SHEET 1 OF 1